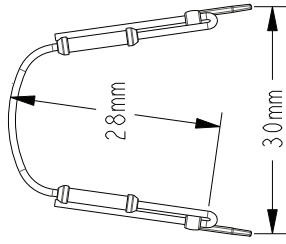
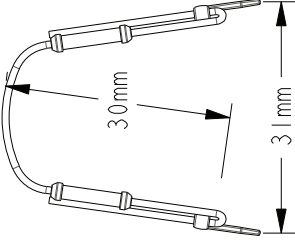
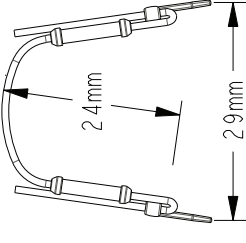
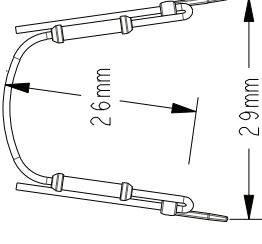
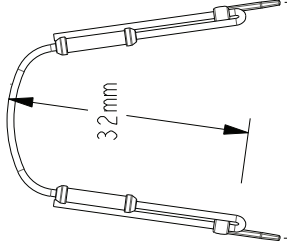
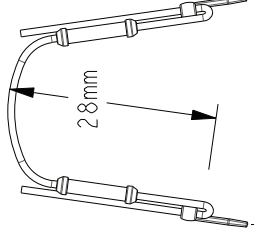
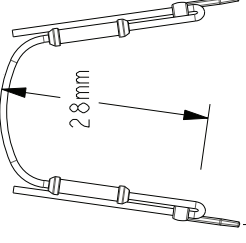
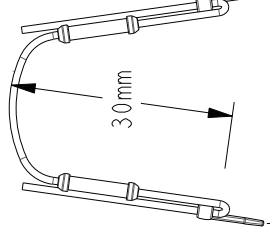


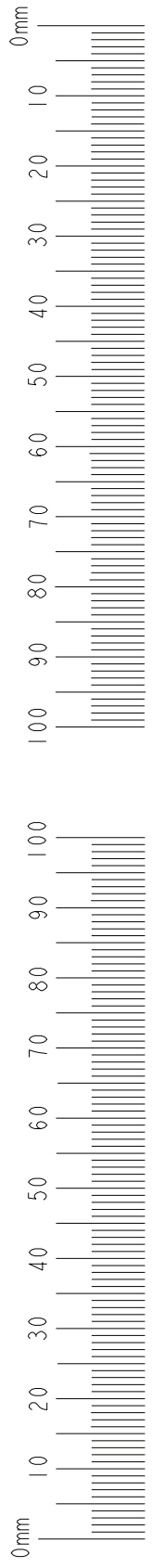
ORTHO ORGANIZERS®
 TRANSFORCE2™ SAGITTAL LINGUAL
 ARCH DEVELOPMENT PLANNER

424-728  <p>PASSIVE</p>	424-730  <p>FULLY COMPRESSED</p>
 <p>FULLY COMPRESSED</p>	 <p>FULLY COMPRESSED</p>

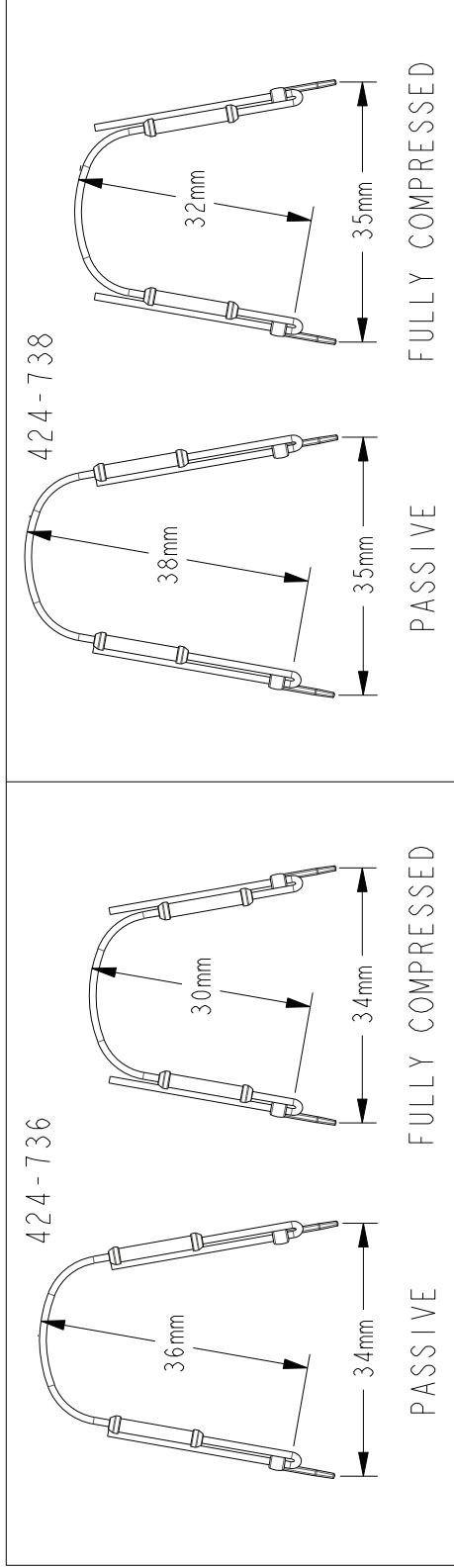
HOW TO USE: PLACE THIS PLANNER OVER PATIENT'S STUDY MODEL. FIND THE FULLY COMPRESSED SIZE THAT BEST FITS INSIDE THE LINGUAL OUTLINE OF THE TEETH. THE PASSIVE OUTLINE SHOWS THE AMOUNT OF EXPANSION CAPABLE BY THE PREACTIVATED APPLIANCE.

424-732  <p>PASSIVE</p>	424-734  <p>FULLY COMPRESSED</p>
 <p>FULLY COMPRESSED</p>	 <p>FULLY COMPRESSED</p>

NOTE: ONCE THE PLANNER HAS BEEN PRINTED, PLEASE VERIFY THE SIZE HAS NOT ALTERED. YOU MAY USE THE RULER ON THE PLANNER TO CROSS-REFERENCE.



ORTHO ORGANIZERS®
 TRANSFORCE2™ SAGITTAL LINGUAL
 ARCH DEVELOPMENT PLANNER



HOW TO USE: PLACE THIS PLANNER OVER PATIENT'S STUDY MODEL. FIND THE FULLY COMPRESSED SIZE THAT BEST FITS INSIDE THE LINGUAL OUTLINE OF THE TEETH. THE PASSIVE OUTLINE SHOWS THE AMOUNT OF EXPANSION CAPABLE BY THE PREACTIVATED APPLIANCE.

NOTE: ONCE THE PLANNER HAS BEEN PRINTED, PLEASE VERIFY THE SIZE HAS NOT ALTERED. YOU MAY USE THE RULER ON THE PLANNER TO CROSS REFERENCE.

